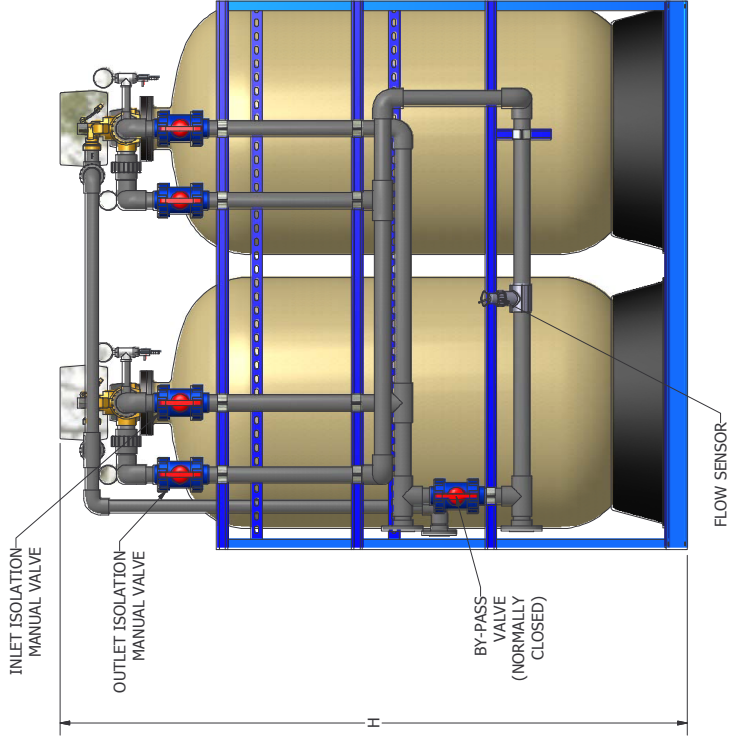
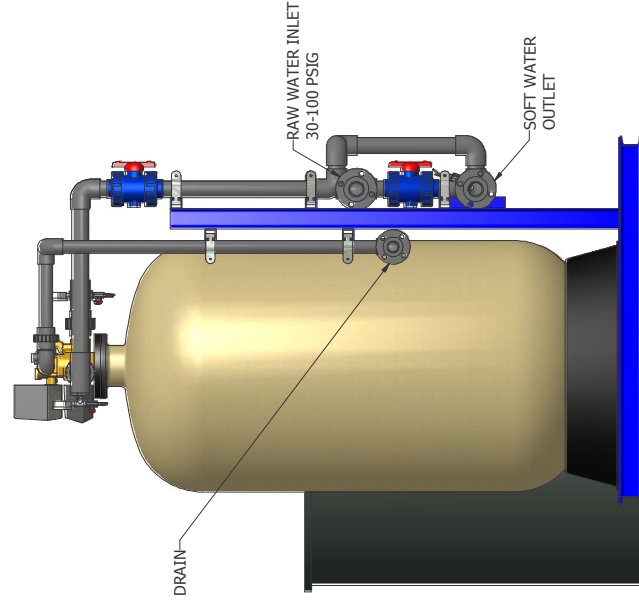
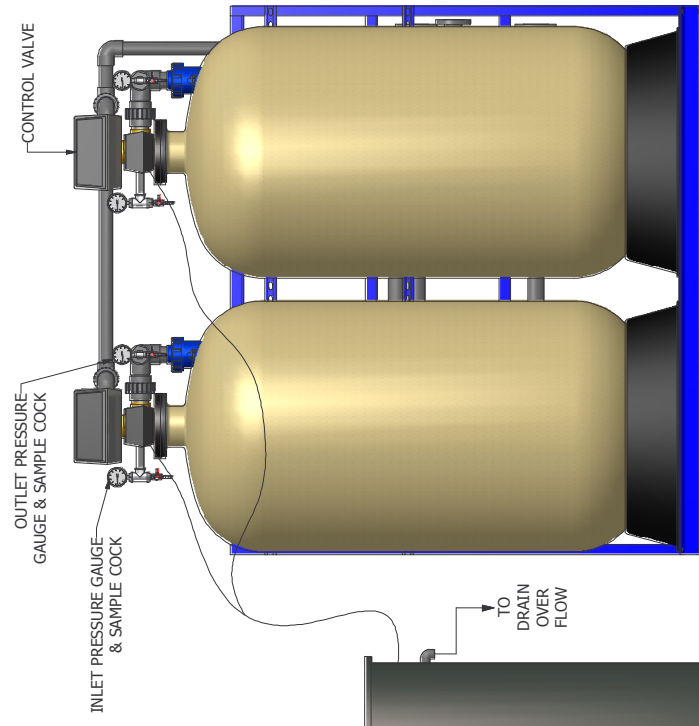
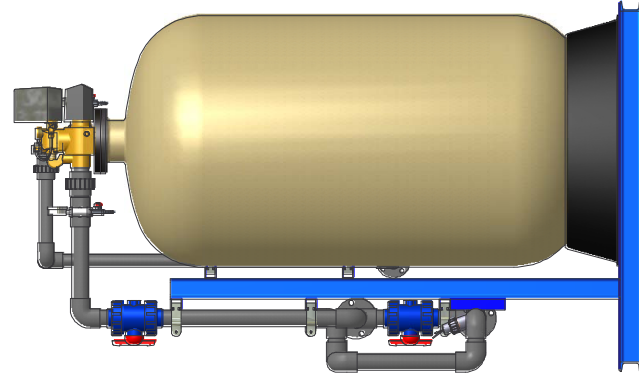
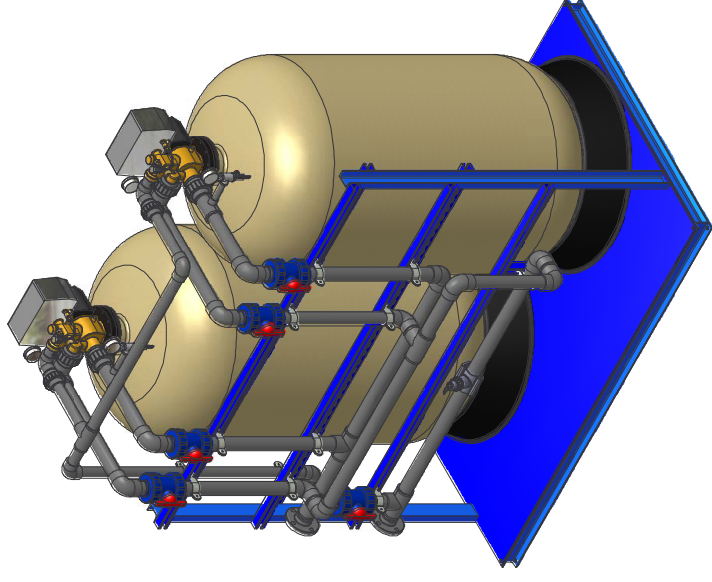
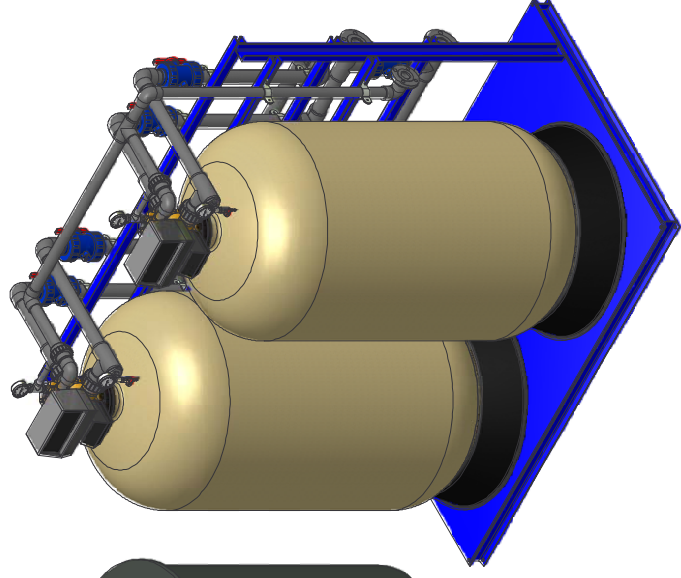
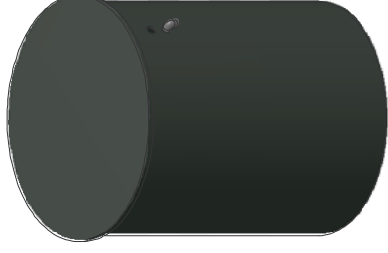
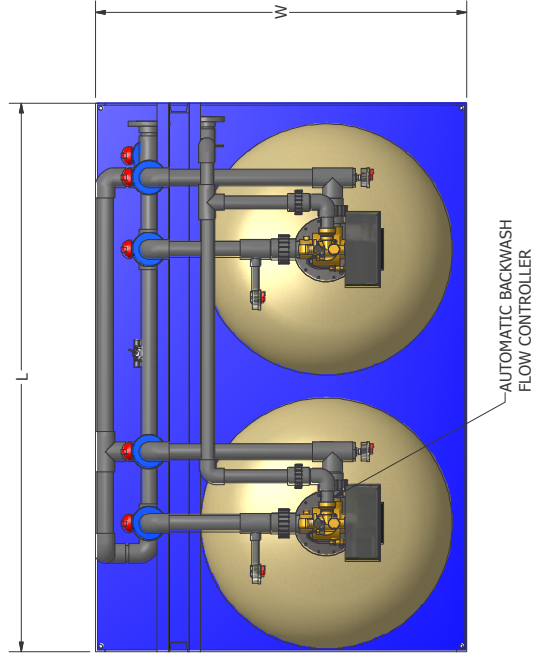


DIMENSION TABLE		MGT-
L=	_____	RT=
W=	_____	BT=
H=	_____	



REVISIONS		REMARKS
NO.	DATE	BY

MGT TWIN ALTERNATING WATER SOFTENER		FILE ID:	
SKID MOUNTED SYSTEM		DRW:	DEC:
MARLO INCORPORATED		ADJG	ADJG
SCALE		DRAWING NO.	SHEET 1 OF 1
DATE: 4/21/2009		MGT TWIN ALT SKID	
APPRD.		REV	