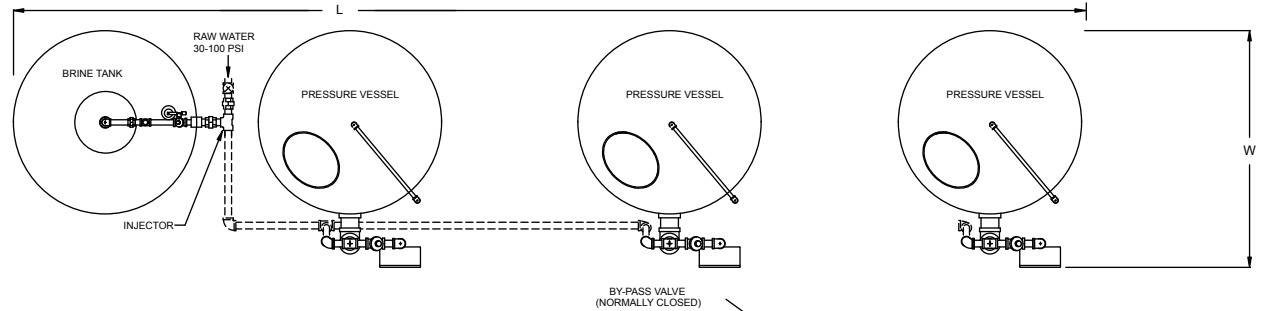


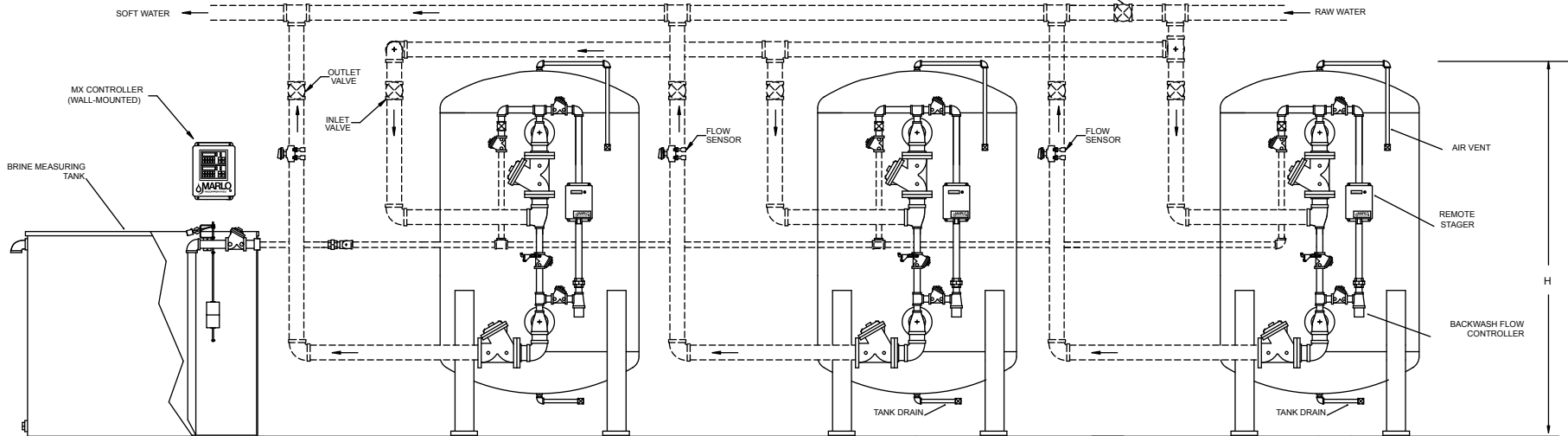
CONSTRUCTION NOTES:

- 1) ALL PRESSURE VESSELS ARE 100# NON CODE VESSELS LINED WITH 10-12 MILS OF EPOXY COATING AND EXTERNALLY COATED WITH 2-3 MILS OF INDUSTRIAL RED PRIMER FINISH.
- 2) ALL PIPING IS SCH 40 GALVANIZED STEEL. ALL FITTINGS ARE CLASS 150# MALLEABLE THREADED GALVANIZED STEEL.
- 3) ALL AUTOMATIC VALVES ARE (NORMALLY OPEN) CAST IRON DIAPHRAGM TYPE FOR SERVICE LINES 4" AND SMALLER.
- 4) ALL CONTROLS ARE MOUNTED IN NEMA 12 STEEL ELECTRICAL ENCLOSURES.
- 5) SHOWN AS TRIPLE SYSTEM WITH MX PROGRAMMABLE CONTROLLER WITH ADDITIVE FLOW CONTROL. EACH SOFTENER HAS INDIVIDUAL FLOW SENSOR FOR VOLUME INITIATED REGENERATION.
- 6) PIPING, FITTINGS, ETC. SHOWN IN BROKEN LINES TO BE FURNISHED BY OTHERS.



DIMENSION TABLE

- L3= _____
 W= _____
 HT= _____
 DS= _____
 DB= _____
- PIPE SIZES
- INLET _____
 OUTLET _____
 DRAIN _____
 BRINE _____



5-233

PRODUCT SERIES



REVISIONS			
NO.	DATE	BY	REMARKS

MARLO
INCORPORATED®

PROJECT _____

MHC SERIES TRIPLE WATER SOFTENER SYSTEM MX CONTROLLED REGENERATION			
FRAC. ±	DEC. ±	FILE ID.	MHC TRIP MX
DRN.	SPL	SCALE -	SHEET 1 OF 1
APP'D.	DRAWING NO.		REV.
DATE 9-17-98			0